



Java is a trademark of Sun Microsystems, Inc.



**jetty://**

# JavaOne<sup>SM</sup>

Java<sup>TM</sup> Servlet 3.0:  
Empowering Your Web  
Applications With Async,  
Extensibility and More

Rajiv Mordani, Jan Luehe  
Sun Microsystems  
Greg Wilkins  
Webtide / Jetty

# Agenda

- **Overview**
- Ease of Development
- Dynamic registration of Servlets and Filters
- Pluggability
- Asynchronous support
- Security enhancements
- Miscellaneous

# Overview

- Java Servlet 3.0 API – JSR 315
- About 20 members in the expert group
  - Good mix of representation from major Java EE vendors, web container vendors and individual web framework authors
- Main areas of focus
  - Ease of Development
  - Pluggability
  - Asynchronous support
  - Security

# Status

- Specification in Proposed Final Draft
- Final release aligned with Java EE 6

# Agenda

- Overview
- **Ease of Development**
- Dynamic registration of Servlets and Filters
- Pluggability
- Asynchronous support
- Security enhancements
- Miscellaneous

## Ease of Development (EoD)

- Focus on Ease of Development (EoD) in the Servlet 3.0 API
- Enhance API to use the new language features introduced since J2SE 5.0
- Annotations for declarative style of programming
  - No web.xml needed
- Generics for type safety in the API without breaking backwards compatibility
- Better defaults and convention over configuration

# Ease of Development

## Use of Annotations

- Annotations to declare Servlets, Filters, Listeners and security constraints
  - **@WebServlet** – Define a Servlet
  - **@WebFilter** – Define a Filter
  - **@WebListener** – Define a Listener
  - **@WebInitParam** – Define init params
  - **@MultipartConfig** – Define fileupload properties
- Can use web.xml to override values specified in the annotations

# Ease of Development

## Use of Annotations (contd)

- **@WebServlet** for defining a Servlet
  - The annotation **MUST** have at a minimum the URL pattern for the Servlet
  - All other fields optional with reasonable defaults
  - For example, the default name of the Servlet is the fully qualified class name
  - Class **MUST** still extend **HttpServlet**
    - Method contracts for **doGet**, **doPost** inherited from abstract class

# Servlet 2.5 example

```
public class SimpleSample
extends HttpServlet {

    public void doGet
    (HttpServletRequest req,
     HttpServletResponse res)
    {

    }

}
```

web.xml  
(intentionally left unreadable)

```
<web-app>

    <servlet>

        <servlet-name>                MyServlet

        </servlet-name>

        <servlet-class>

            samples.SimpleSample

        </servlet-class>

    </servlet>

    <servlet-mapping>

        <servlet-name>

            MyServlet

        </servlet-name>

        <url-pattern>

            /MyApp

        </url-pattern>

    </servlet-mapping>
```

...

# Servlet 3.0 example

```
@WebServlet("/foo")
```

```
public class SimpleSample extends  
HttpServlet
```

```
{
```

```
    public void doGet(HttpServletRequest  
                    req, HttpServletResponse res)
```

```
    {
```

```
    }
```

```
}
```

## Servlet 3.0 example

```
@WebServlet(urlPatterns="/foo",  
    name="MyServlet", asyncSupported=true)
```

```
public class SimpleSample extends  
HttpServlet
```

```
{
```

```
    public void doGet(HttpServletRequest  
        req, HttpServletResponse res)
```

```
{
```

```
}
```

# Agenda

- Overview
- Ease of Development
- **Dynamic registration of Servlets and Filters**
- Pluggability
- Asynchronous support
- Security enhancements
- Miscellaneous

# Dynamic registration of Servlets and Filters

## Register

- Performed during ServletContext initialization
- **ServletContext#add[Servlet|Filter]**
  - Overloaded versions take [Servlet|Filter] name and
    - Fully qualified [Servlet|Filter] class name OR
    - **Class<? extends [Servlet|Filter]>** OR
    - [Servlet|Filter] instance
  - Use returned **Registration** handle to configure all aspects of [Servlet|Filter]

# Dynamic registration of Servlets and Filters

## Create and Register

- **ServletContext#create[Servlet|Filter]**

- Takes **Class<? extends [Servlet|Filter]>** argument
- Container responsible for instantiating the **[Servlet |Filter]**
- Supports resource injection by container
- Returned **[Servlet|Filter]** instance may be fully customized before it is registered via the **ServletContext#add[Servlet|Filter]** methods

# Dynamic registration of Servlets and Filters

## Lookup

- **ServletContext#get[Servlet|Filter]Registration**
  - Takes [Servlet|Filter] name as argument
  - Returned **Registration** handle provides subset of configuration methods
    - May only be used to add initialization parameters and mappings
    - Any conflicts returned as **java.util.Set**

# Dynamic registration of Servlets/Filters

## Register Example

```
ServletRegistration.Dynamic dynamic =  
    servletContext.addServlet(  
        "DynamicServlet",  
        "com.mycom.MyServlet");  
dynamic.addMapping("/dynamicServlet");  
dynamic.setAsyncSupported(true);
```

# Dynamic registration of Servlets/Filters

## Lookup Example

**ServletRegistration** declared =

```
servletContext.getServletRegistration("DeclaredServlet");
```

```
declared.addMapping("/declaredServlet");
```

```
declared.setInitParameter("param", "value");
```

# Agenda

- Overview
- Ease of Development
- Dynamic registration of Servlets and Filters
- **Pluggability**
- Asynchronous support
- Security enhancements
- Miscellaneous

# Pluggability

- Enable use of libraries and framework without boiler plate configuration in deployment descriptors
  - Put the burden on the framework developer
- Modularize **web.xml** to allow frameworks to be self-contained within their own JAR file
- Programmatic configuration APIs
- Use of annotations

# Pluggability

## Motivation for web.xml modularization

- Use of framework requires (possibly complex) configuration in **web.xml**
- For example
  - Declare a controller Servlet
  - Logging and security Filters
  - Declare Listeners to perform actions at various points in the lifecycle of the application
- Can get complex as dependencies increase
- Frameworks also need to document all the configuration that needs to be done

# Pluggability

## web-fragment.xml

- **web-fragment.xml** is descriptor for framework / library
- Included in **META-INF** directory
- Container responsible for discovering fragments and assembling the effective deployment descriptor
- Almost identical to **web.xml**
  - Ordering related elements different
- Only JAR files in **WEB-INF/lib** considered as fragments

# Pluggability

## web-fragment.xml example

**<web-fragment>**

**<servlet>**

**<servlet-name>welcome</servlet-name>**

**<servlet-class>com.mycom.WelcomeServlet</servlet-class>**

**</servlet>**

**<servlet-mapping>**

**<servlet-name>welcome</servlet-name>**

**<url-pattern>/Welcome</url-pattern>**

**</servlet-mapping>**

**...**

**</web-fragment>**

# Pluggability

## Ordering

- Compatible with JavaServer™ Faces
- Fragments identified by **<name>**
- **web.xml** may declare **absolute** ordering of fragments via **<absolute-ordering>**
- Fragments may declare ordering preferences **relative** to other fragments via **<ordering>** with nested **<before>** and **<after>**
  - Ignored if **<absolute-ordering>** specified
- Special **<others/>** element moves fragment to beginning or end of list of sorted fragments

# Pluggability

## Resource sharing

- Static and JavaServer™ Pages (JSP) resources no longer confined to web application's document root
- May be placed inside **WEB-INF/lib/[\*.jar]/META-INF/resources**
- Container must honor this new location when processing HTTP requests and calls to **ServletContext#getResourceAsStream**
- Resources in document root take precedence over those in bundled JAR files

# Pluggability

Resource sharing: Example

**mywebapp.war** packaging:

**/index.jsp**

**/WEB-INF/lib/shared.jar!/META-INF/resources/shared.jsp**

Request for:

**<http://localhost:8080/mywebapp/shared.jsp>**

will be served from:

**/path/to/mywebapp/WEB-INF/lib/shared.jar!/META-INF/resources/shared.jsp**

# Pluggability

## Shared libraries

- Support plugging in of container installed JAR files
  - Examples: JSF, JAX-WS, Spring
- Libraries may provide implementation of **ServletContainerInitializer**
- Looked up via the JAR Services API in JDK 6
- Invoked before any Listeners during the initialization of the application

# Pluggability

## Shared libraries (contd)

- **ServletContainerInitializer** expresses interest in Classes via **@HandlesTypes**
- Container discovers classes that match **@HandlesTypes** and passes them to **ServletContainerInitializer**
- **ServletContainerInitializer** inspects passed in Classes and may register Servlets and Filters based on them

# Pluggability

## ServletContainerInitializer example

```
@HandlesTypes(WebService.class)
```

```
public class JAXWSInitializer implements  
ServletContainerInitializer {  
    public void onStartUp(Set<Class<?>> c,  
                           ServletContext ctx)  
    {  
        ctx.addServlet("JAXWSServlet",  
                        "com.sun.jaxws.JAXWSServlet");  
    }  
}
```

# Agenda

- Overview
- Ease of Development
- Dynamic registration of Servlets and Filters
- Pluggability
- **Asynchronous support**
- Security enhancements
- Miscellaneous

# Why Asynchronous Servlets?

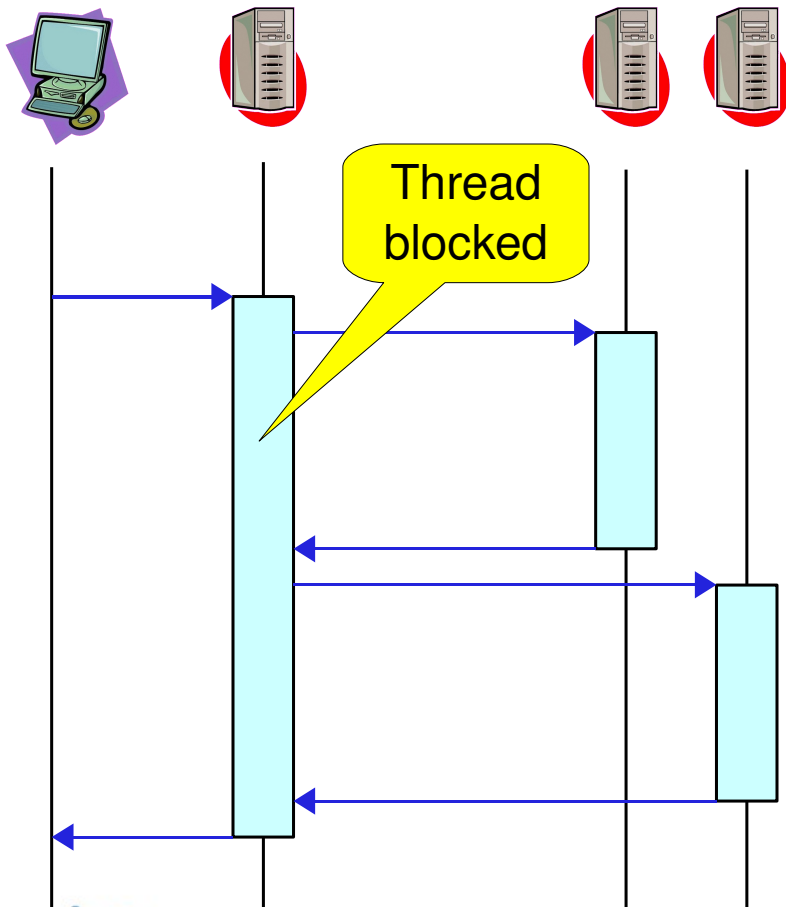
- Not for Async IO!
  - Requests mostly small (single packet)
  - Hard to asynchronously produce large responses
  - Async IO support waiting for NIO2 (Servlet 3.1?)
- Async Servlets are for:
  - Waiting for resources (eg JDBC connection)
  - Waiting for events (eg Chat)
  - Waiting for responses (eg web services, QoS)

# Blocking waiting consumes resources

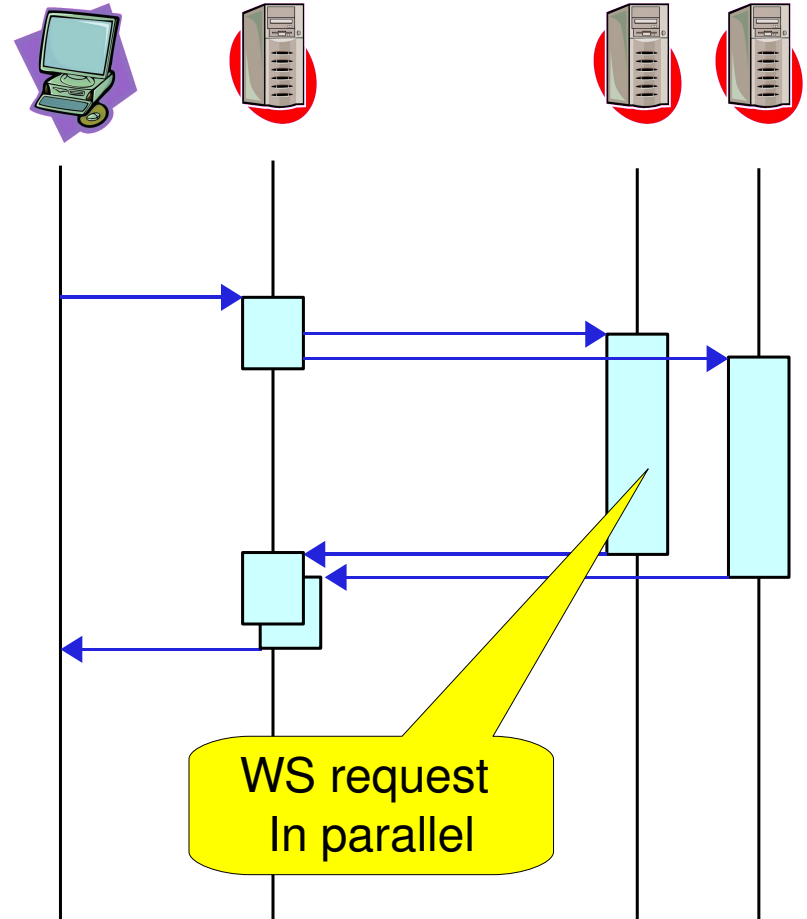
- Web Application using remote web services
  - Handling 1000 requests / sec
  - 50% requests call remote web service
  - 500 threads in container thread pool
- If remote web service is slow (1000ms)
  - Thread starvation in 1 second!
  - 50% of requests use all 500 threads

## Waiting for Web Services

### Blocking



### Asynchronous



# Asynchronous API

## ServletRequest

- **ServletRequest#isAsyncSupported()**
  - **True** if ALL [Filter|Servlet]s support async in
    - the Filter chain
    - the RequestDispatch chain
- Configured in
  - **web.xml**
    - **<async-supported>true</async-supported>**
  - With annotation
    - **@WebServlet(asyncSupported=true)**
  - Programmatic
    - **registration.setAsyncSupported(boolean)**

# Asynchronous API

## ServletRequest

- **AsyncContext**  
**ServletRequest#startAsync()**
  - Called by [Filter|Servlet]
  - Response is NOT committed on return of:
    - **Servlet.service(request, response)**
    - Filter chain
- **AsyncContext**  
**ServletRequest#startAsync**  
**(ServletRequest req,**  
**ServletResponse res)**
  - Variation that preserves wrappers

# Asynchronous API

## AsyncContext

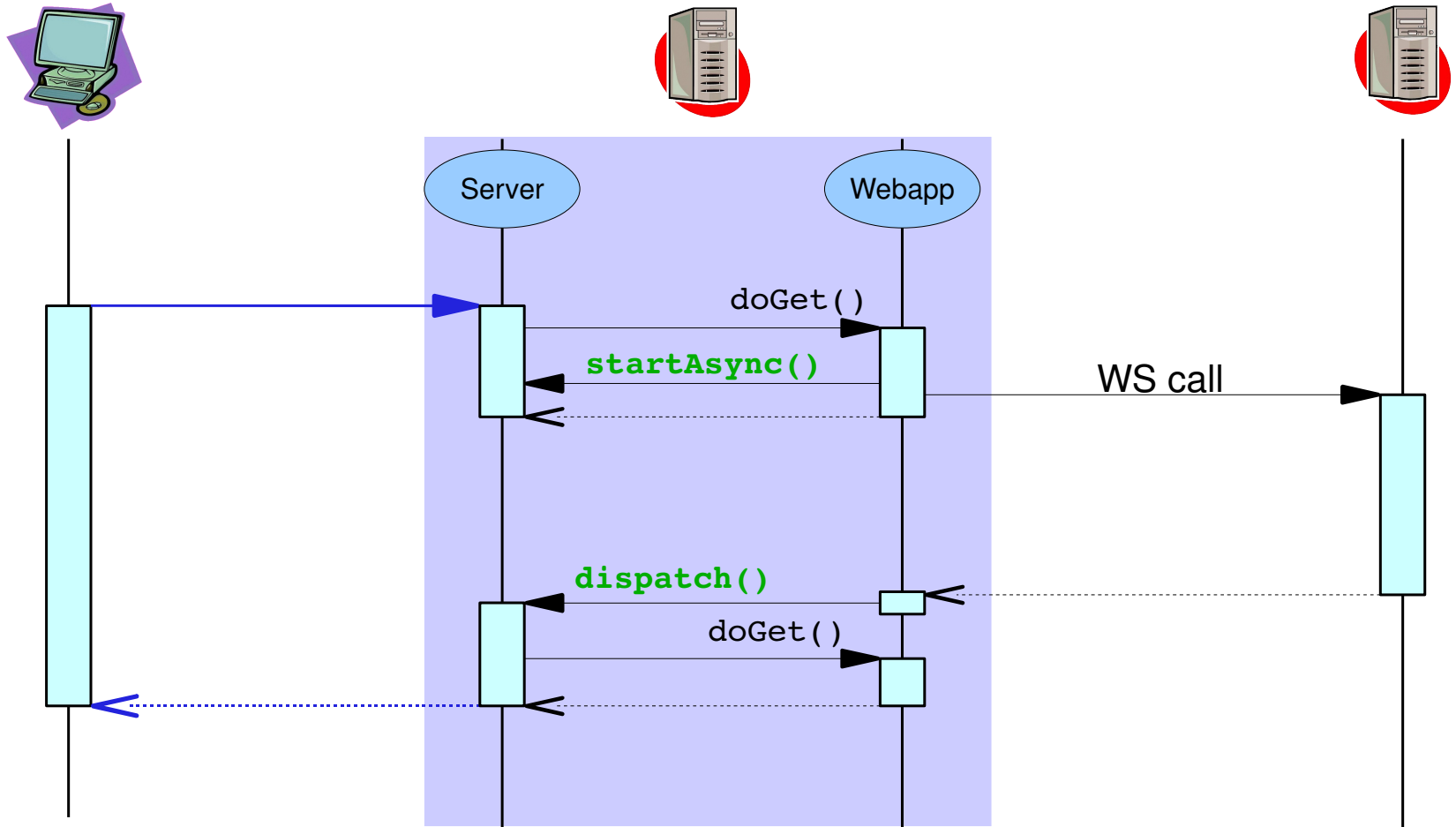
- **AsyncContext#dispatch()**
  - Called by your asynchronous handler
  - Schedule async dispatch:  
**DispatcherType.ASYNC**
  - Response generated by [Filter|Servlet] using:
    - container thread pool
    - JSP, JSF or other frameworks usable
    - JNDI, JTA, EJBs usable
- **AsyncContext#dispatch(String path)**

# Asynchronous API

## AsyncContext

- **AsyncContext#complete()**
  - Called by your asynchronous handler
  - Response has been generated asynchronously
    - without Servlet features, or
    - with **AsyncContext#start(Runnable r)**
      - for JNDI, classloader

## Asynchronous Web Service



## Multiple Usage Styles

- **startAsync()** ... **dispatch()**
  - Retry request after async wait
  - Filters re-applied if on **DispatcherType.ASYNC**
- **startAsync()** ... **dispatch(path)**
  - Use specific Servlet handling after async wait
- **startAsync()** ... **complete()**
  - Generate response asynchronously

## Multiple Usage Styles

- **startAsync(req, res) ... dispatch()**
  - Retry request after async wait
  - Wrappers are kept
  - **RequestDispatcher#forward** target used
- **startAsync(req, res) ... dispatch(path)**
  - Specific Servlet handling after async wait
- **startAsync(req, res) ... complete()**
  - Generate wrapped response asynchronously

# Asynchronous API Details

- Timeouts
  - **ServletRequest#setAsyncTimeout(long ms)**
  - By default error dispatch on timeout
- Listeners
  - **AsyncListener#OnTimeout**
  - **AsyncListener#OnComplete**

# Demonstration

## Asynchronous eBay Web Service

- > EoD packaging
  - META-INF
    - web-fragment.xml
    - Resources/\*

**Blocking: mouse,beer,gnome**

Total Time: 1408.3ms

Thread held (red): 1408.3ms



- > Glassfish Container
  - Async Servlet

**Asynchronous: mouse,beer,gnome**

Total Time: 485.0ms

Thread held (red): 1.0ms (0.8 initial + 0.3 generate )

Async wait (green): 484.0ms



- > Jetty HTTP Client
  - Async Client

# Agenda

- Overview
- Ease of Development
- Dynamic registration of Servlets and Filters
- Pluggability
- Asynchronous support
- **Security enhancements**
- Miscellaneous

# Security

## Security constraints via common annotations

- Support for common annotations
  - **@RolesAllowed** -> **auth-constraint** with roles
  - **@DenyAll** -> Empty **auth-constraint**
  - **@PermitAll** -> No **auth-constraint**
  - **@TransportProtected** -> **user-data-constraint**
- Annotations enforced on **javax.http.HttpServlet** class and **doXXX** methods of **HttpServlet**
- Method-targeted annotations take precedence over class-targeted annotations

# Security

## Security constraints via common annotations (contd)

- Security constraints in **web.xml** override annotations, **metadata-complete** disables annotations
- **web-resource-collection** enhanced with **http-method-omission** to
  - Allow constraints to be specified on non-enumerable HTTP method subsets (i.e., all other methods)

# Security

## Programmatic container authentication and logout

- **HttpServletRequest#login(String username, String password)**
  - Replacement for FBL
  - Application supervises credential collection
- **HttpServletRequest#authenticate(HttpServletRequestResponse)**
  - Application initiates container mediated authentication from a resource that is not covered by any authentication constraints
  - Application decides when authentication must occur

## Security

Programmatic container authentication and logout  
(contd)

- **HttpServletRequest#logout**
- Integration of additional container authentication modules via Servlet Profile of JSR 196 recommended

# Agenda

- Overview
- Ease of Development
- Dynamic registration of Servlets and Filters
- Pluggability
- Asynchronous support
- Security enhancements
- **Miscellaneous**

## Miscellaneous Features / APIs

- Session tracking cookie configuration
  - Via **web.xml**
  - Programmatic via **javax.servlet.SessionCookieConfig**
- Support for **HttpOnly** cookie attribute
  - Example:  
**ServletContext.getSessionCookieConfig().setHttpOnly(true)**
- Default error page

## Miscellaneous Features / APIs (contd)

**ServletRequest#getServletContext**

**ServletRequest#getDispatcherType**

**Servlet[Request |  
Response]Wrapper#isWrapperFor**

**HttpServletResponse#getStatus**

**HttpServletResponse#getHeader**

**HttpServletResponse#getHeaders**

**HttpServletResponse#getHeaderNames**

## Miscellaneous Features / APIs (contd)

File upload APIs

**ServletRequest#getParts**

**ServletRequest#getPart**

**@MultipartConfig**

Changes to **web.xml**

# Summary

- Major revision since Servlet 2.4
- Comprehensive set of new features enable modern style of web applications and greatly increases developer productivity
- Simplifies assembly of large applications from reusable components

# GlassFish Community

## Open Source and Enterprise Ready



- **GlassFish V3 Preview Available now!**

- Java EE 6 reference implementation
- Modular OSGi architecture – easy to develop & deploy
- Runs in-process and easy to extend
- Support for Ruby-on-Rails, Groovy and Grails, Python and Django

- **GlassFish V2 – Production Ready**

- Best price/performance open source App server with Clustering, High Availability, Load Balancing
- Secure, Reliable, Transactional, .NET-interop Web svcs
- Support for Ajax and Comet

- **GlassFish ESB**

- SOA and Business Integration platform

- **GlassFish Communications App Server**

- SIP servlet technology for converged services

- **24x7 Enterprise and Mission Critical Support**

- [sun.com/glassfish](http://sun.com/glassfish)

- **Tools Integration**

- NetBeans and Eclipse

[glassfish.org](http://glassfish.org)

**Always free** to download, deploy and distribute

## Webtide & Jetty

- > Status update
- > <http://eclipse.org/jetty>



# JavaOne<sup>SM</sup>

# Thank You

Rajiv Mordani

[rajiv.mordani@sun.com](mailto:rajiv.mordani@sun.com)

Jan Luehe

[jan.luehe@sun.com](mailto:jan.luehe@sun.com)

Greg Wilkins

[gregw@webtide.com](mailto:gregw@webtide.com)

